

JVC

RK-C28G1S/C28G1SPK
RK-C32G1S/C32G1SPK
TV STAND

ASSEMBLY INSTRUCTIONS
(TO BE RETAINED BY CUSTOMER)

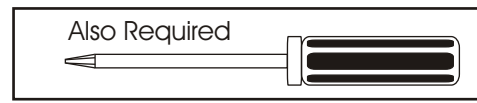
A		x3
B		x16
C		x4

D		x1
E		x1

FIXING KIT - AEM4181-002A-U

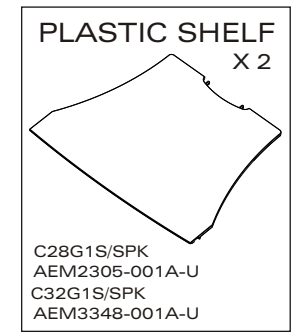
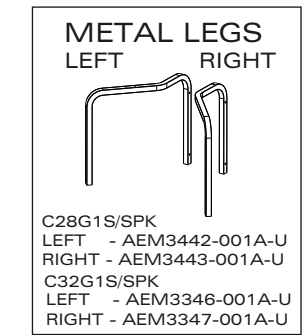
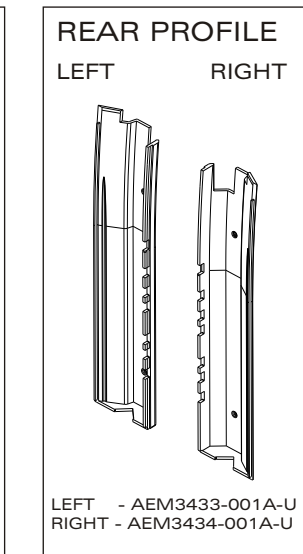
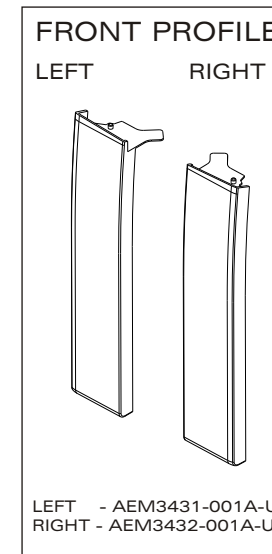
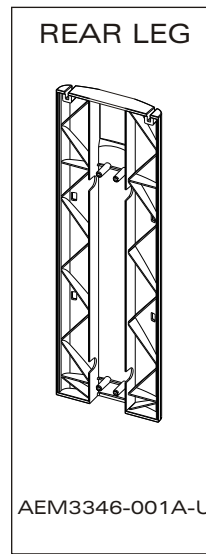
G		x4
---	--	----

AEM4195-001A-U



H		x4
---	--	----

AEM4189-002A-U



IMPORTANT NOTES

- THIS STAND MUST BE USED ONLY WITH THE TV WITH WHICH IT IS SUPPLIED
- DO NOT USE ANY SCREWS OTHER THAN THOSE PROVIDED
- DO NOT USE SOLVENTS FOR CLEANING THIS STAND. USE A DAMP CLOTH TO REMOVE ANY HANDLING OR PACKAGING MARKS
- DO NOT ATTEMPT TO MOVE THE ASSEMBLY WITH TV ATTACHED AS THIS MAY RESULT IN PERSONAL INJURY AND OR DAMAGE TO YOUR EQUIPMENT.

